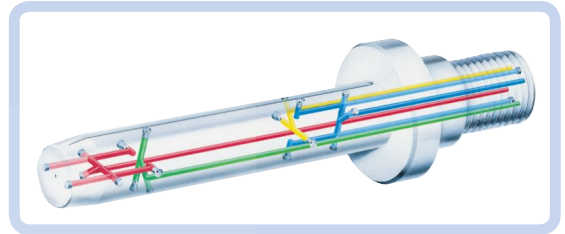


Bowers Air Plugs and Rings

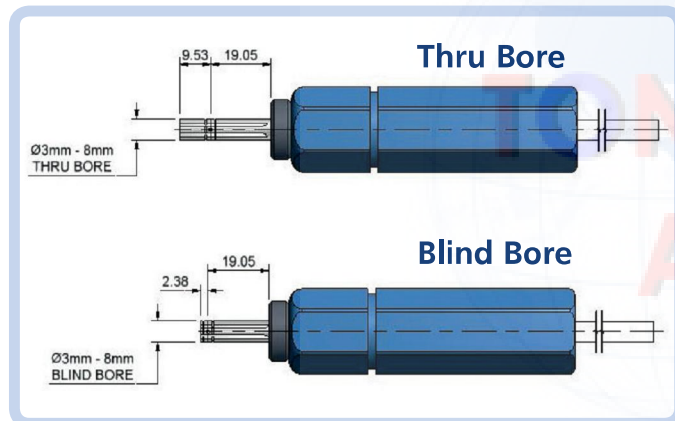
Bowers offers the most comprehensive range of standard air plugs, rings, calipers, etc, currently available. To complement this service we also produce bespoke air gauging products to help solve customer's specific measuring problems. Our hi-tech manufacturing plant incorporates a first class UKAS calibration laboratory, ensuring the quality and accuracy of our air gauging products.

Features

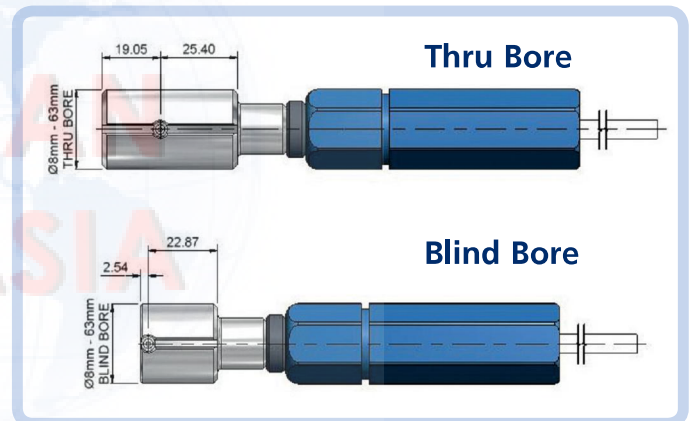
- High resolution
- 3mm to 150mm diameter
- High repeatability
- Non contact
- Static or dynamic measurement
- Multi parameter measurement
- Compatible with instruments from other sources
- Air plugs for internal measurement
- Air rings and calipers for external measurement
- In-cycle, in-process and post-process



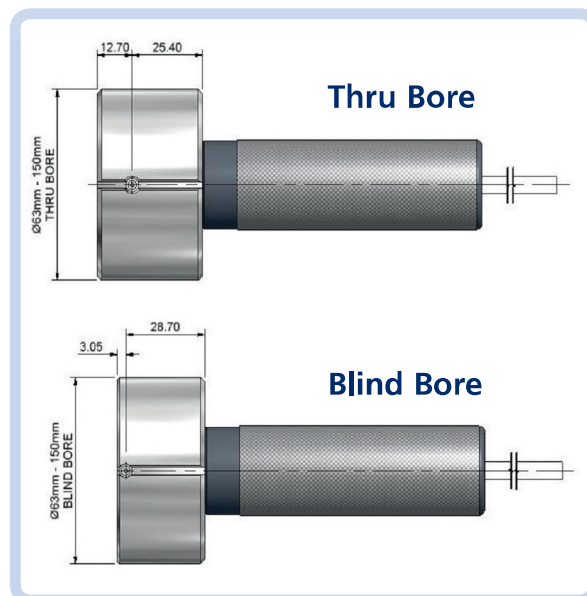
Standard: 3-8mm



Standard: 8-63mm



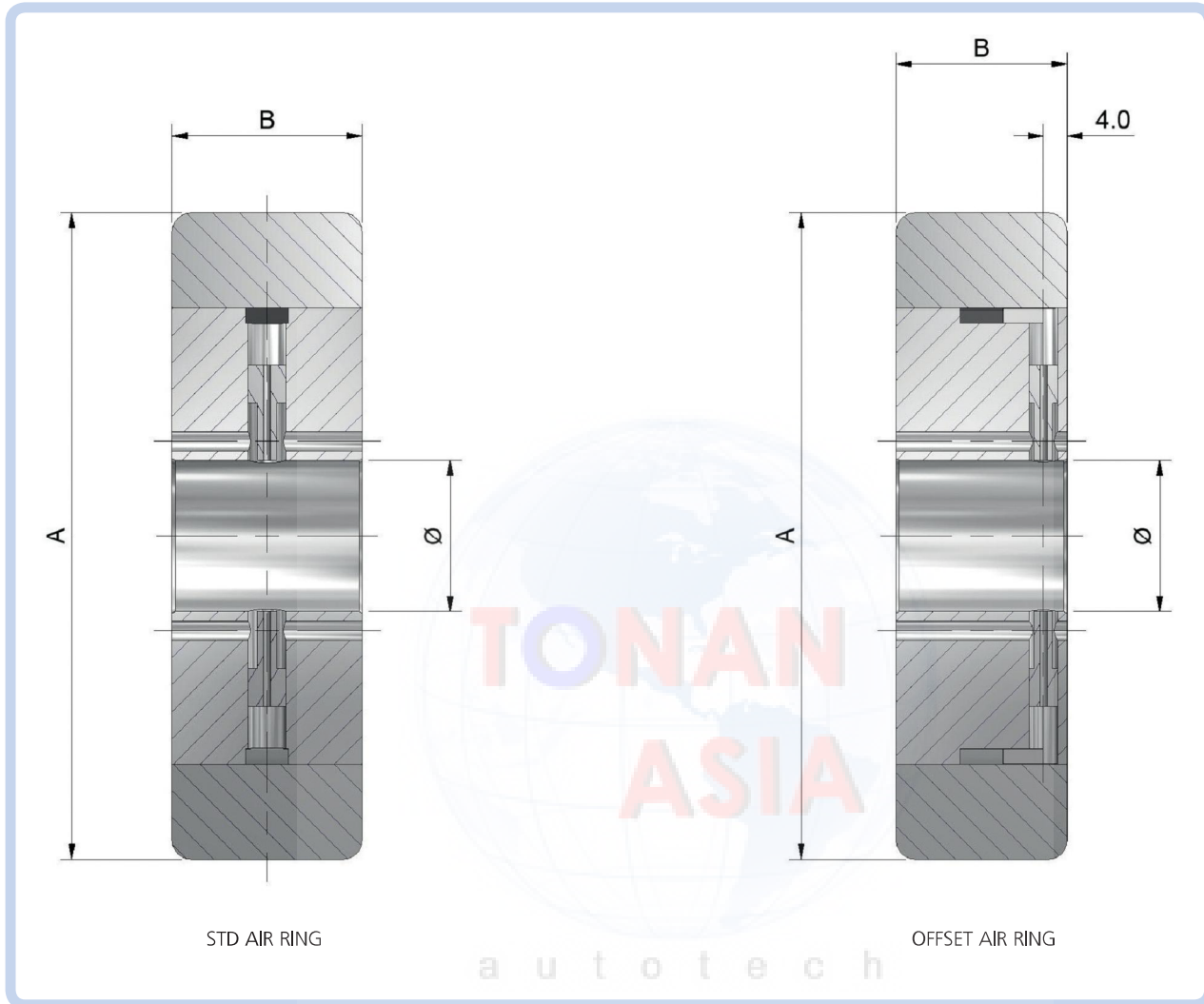
Standard: 63-150mm





Bowers Air Rings

Air Rings-Standard & Offset



AIR RINGS - SPECIFICATION

Size Range (mm)	Size Range (inch)	Dia A (mm)	Dia A (inch)	Dia B (mm)	Dia B (inch)
3.17-6.35	1/8-1/4	63.50	2.5	19.05	3/4
6.35-25.40	1/4-1	82.55	3 1/4	25.40	1
25.40-38.10	1-1.5	107.95	4 1/4	28.58	1 1/8
38.10-50.80	1.5-2	120.65	4 3/4	28.58	1 1/8
50.80-63.5	2-2.5	133.35	5 1/4	28.58	1 1/8