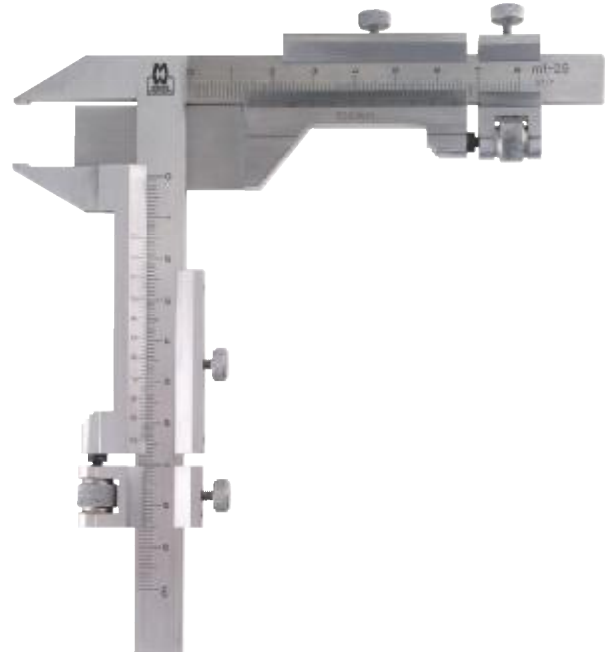


## Precision Gear Modul Caliper 180 Series

### Features

Standard: Factory Standard

- Special vernier caliper for measuring gear modul
- Made of alloyed stainless steel
- With tungsten carbide measuring surfaces
- Chromed scale with engraved mm graduations
- Fine adjustment in both axes
- Packed in wooden case



### PRECISION GEAR MODUL CALIPER

Code No	Range
MW180-01	Modul 1 to 26