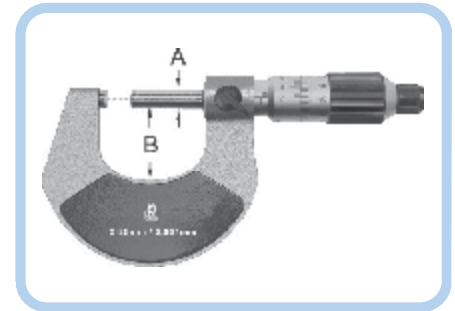


Parallax Free Outside Micrometer 204 Series

Features

Standard: DIN 863

- High quality outside micrometer
- Features non-rotating spindle and parallax free reading
- Design Line product
- Resolution 0.001mm
- Non rotating friction thimble
- Satin-chrome scale
- Hammertone finished frame with high quality insulated grip
- Tapered for easier access to difficult areas
- With tungsten carbide measuring faces and constant force ratchet
- Packed in plastic box with standard and adjusting key



PARALLAX FREE OUTSIDE MICROMETER 204 SERIES

Code No	Range	Resolution
MW204-01	0-25mm	0.001mm
MW204-02	25-50mm	0.001mm
MW204-03	50-75mm	0.001mm
MW204-04	75-100mm	0.001mm