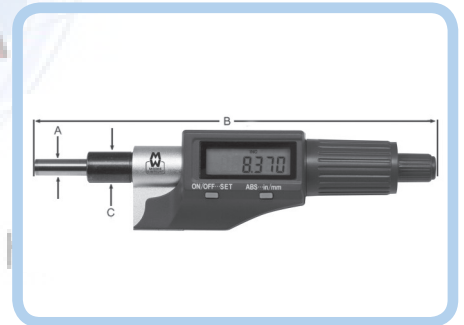


Digitronic Standard Micrometer Head 312 Series

Features

Standard: DIN862

- Universal micrometer head for X-Y stages or other purposes
- Large LCD display
- Constant force ratchet thimble
- Functions: mm/inch conversion, ABS/INC, zero-setting



DIGITRONIC MICROMETER HEAD

Code No	Range	Resolution	A	B	C
MW312-25	0-25mm / 1"	0.001mm / 0.00005"	6.5mm	150mm	12.0mm