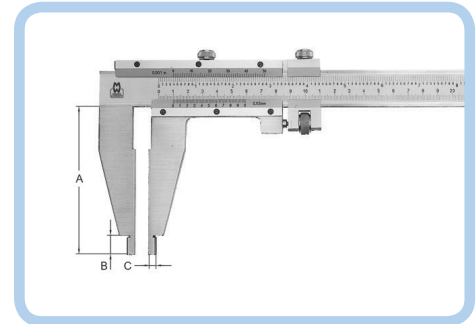
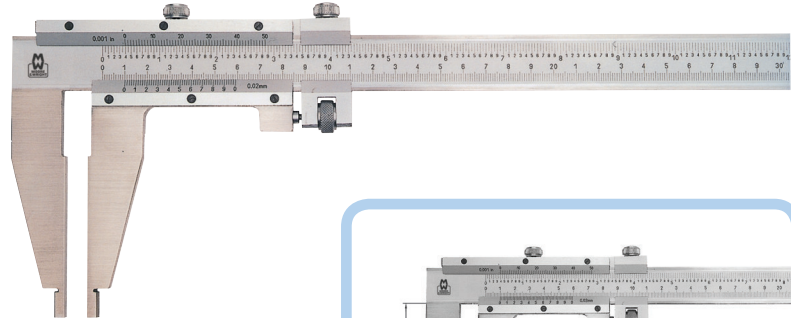


## Large Workshop Vernier Caliper 150 Series

### Features

Standard: Factory Standard

- Standard workshop model with locking screw
- Mono block solid slider
- Made of hardened alloyed stainless steel
- Jaws for internal and external measurement
- Chromed scale with laser engraved graduations
- Measuring surface is micro-lapped
- With fine adjustment
- Packed in wooden box



### LARGE WORKSHOP VERNIER CALIPER

Code No	Range (mm)	Range (inch)	Resolution (mm)	Resolution (inch)	Dimm – A	Dimm – B	Dimm – C
MW150-52	0-500	0-20	0.02	0.001	100	12	5
MW150-55	0-500	0-20	0.05	1/128	100	12	5
MW150-62	0-600	0-24	0.02	0.001	100	12	5
MW150-65	0-600	0-24	0.05	1/128	100	12	5
MW150-72	0-1000	0-40	0.02	0.001	125	18	10
MW150-75	0-1000	0-40	0.05	1/128	125	18	10
MW150-82	0-1500	0-60	0.02	0.001	150	18	10
MW150-85	0-1500	0-60	0.05	1/128	150	18	10